



# Control Products Inc.

## Waterproof Limit Switches for Chippers & Forestry Applications

CPI manufactures high-endurance waterproof and thermal switches plus indestructible hydraulic position sensors for one purpose – to bring precision, efficiency, reliability and safety to your equipment, in the most demanding applications.



K1109

D1040

E1092

E1117



### Truly Waterproof Limit Switches

CPI's limit switches have a proven track record on wood chippers, mulchers, and forestry equipment, for OEM and aftermarket applications.

Reliable operation under exposure to wet conditions, dust, vibration, and shock.

- All stainless steel actuators & brackets
- Sealed to IP68
- UL Listed
- Sealed connectors/terminals available
- SPST & SPDT contact configurations
- Gold contact models available

### Specifications

#### Electrical rating:

E1s: (28VDC / 120VAC): 5 amps resistive, 3 amps inductive. Higher ratings available on special order. UL recognized for 120VAC, 5 amp resistive rating upon request.

#### Endurance:

100,000 to 5 million cycles (depending on configuration)

#### Operating temperature range:

-45°C to 105°C

#### Environmental resistance:

Excellent resistance to both high and low temperatures, acids, alkalis, salt spray, sand, dust, fungus, and cleaning chemicals.

### Applications

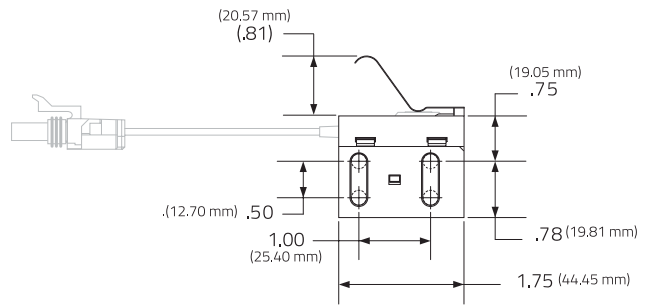
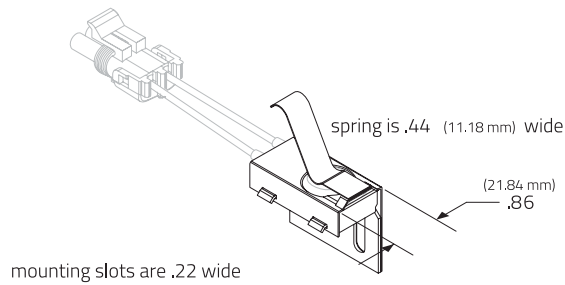
- Door interlock (safety)
- Bumper bar
- Roller direction selection
- Mast limit detection
- Operator presence detection
- Auxiliary control for attachments can be mounted on joystick (momentary B Series shown)



**General Product Dimensions**

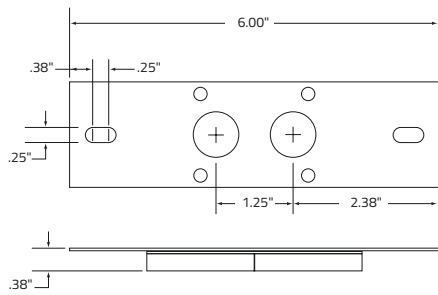
**E1092** angle mount limit bracket with simulated roller actuator

(shown as example - please visit [www.cpi-nj.com](http://www.cpi-nj.com) for other mounting/actuator configurations)

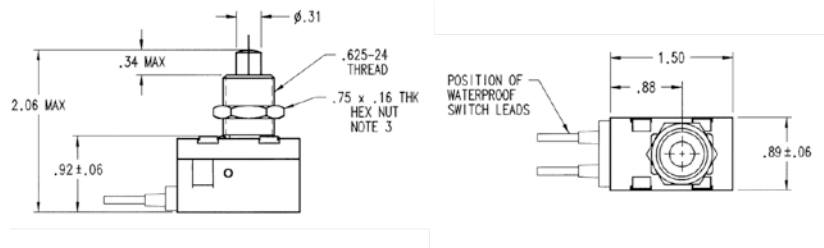


E1112 = opposite angle

**K1109**



**D1040**



**Wire Terminations, Connectors and Wire Coverings**

Along with CPI's offering of standard wire and cable leads, we also have available special terminations to meet your specifications. Variations include special color-coded wire, BUNA-N, coil cords, and alternative wire gauges. Connectors, wire markers, and sleeving may also be specified, creating a complete switch/harness assembly.

The main advantage is that you will receive a complete assembly from CPI rather than a third-party harness house. In addition, you will receive the highest quality possible, as CPI is your most qualified source when it comes to integrating terminations with our sealed switches.



IPP PTY Ltd.

74 Smith Street, Level 2  
 Southport, QLD 4215 Australia

T +61 488 864 005  
 E info@ipppty.com

Please check [www.ipppty.com](http://www.ipppty.com) for further information.